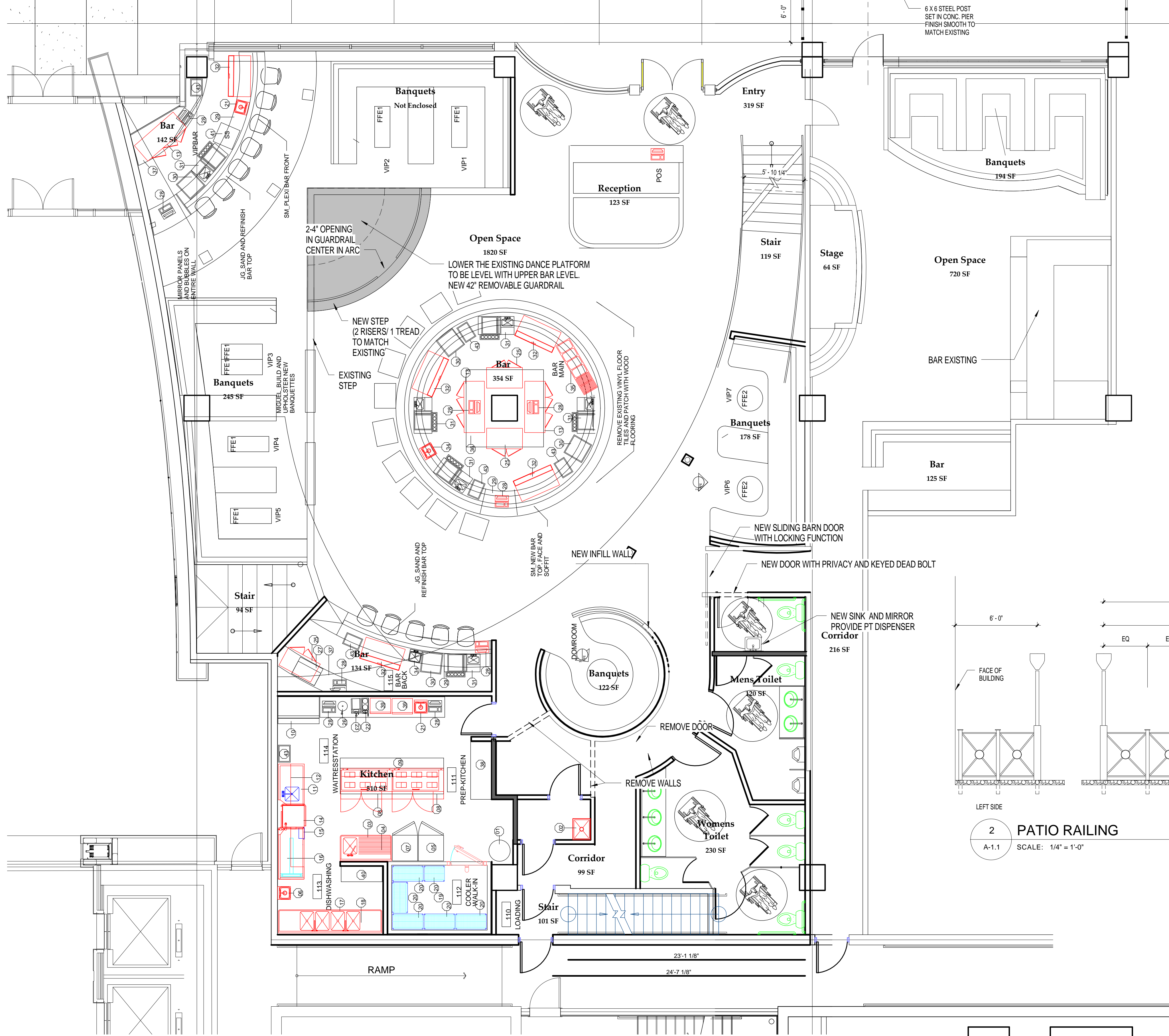
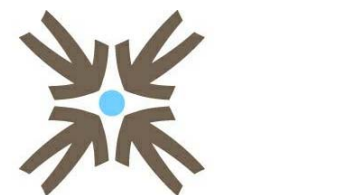


ID LINDBERG TONGUE & GROOVE - FIRST FLOOR PLAN

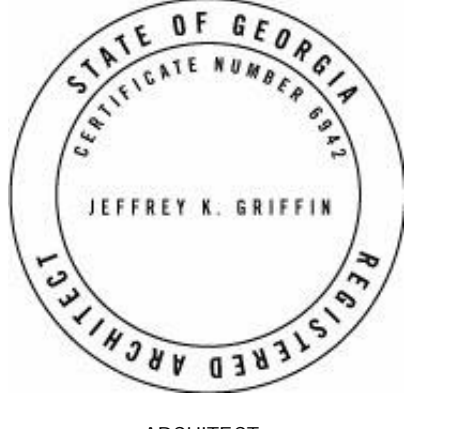


GENERAL NOTES:

- THESE DRAWINGS AND PLANS ARE BASED ON THE ORIGINAL DESIGN DRAWINGS. FIELD VERIFICATION OF CRITICAL DIMENSIONS IS RECOMMENDED.
- PROTECT ALL OPENINGS IN RATED WALLS.
- ALL WORK SHALL CONFORM TO LOCAL AND STATE CODES



JKG COLLABORATIVE
ARCHITECTURE
931 MONROE DR. NE, SUITE A102-181
ATLANTA, GEORGIA 30308-1795
PHONE 404-537-1832
WWW.JKGCOLLABORATIVE.COM



ARCHITECT
JEFFREY K. GRIFFIN, AIA, LEED-AP
GEORGIA REGISTRATION 6942

JKG

REVISION HISTORY

No.	Description	Date

TONGUE AND GROOVE

MINOR REMODEL

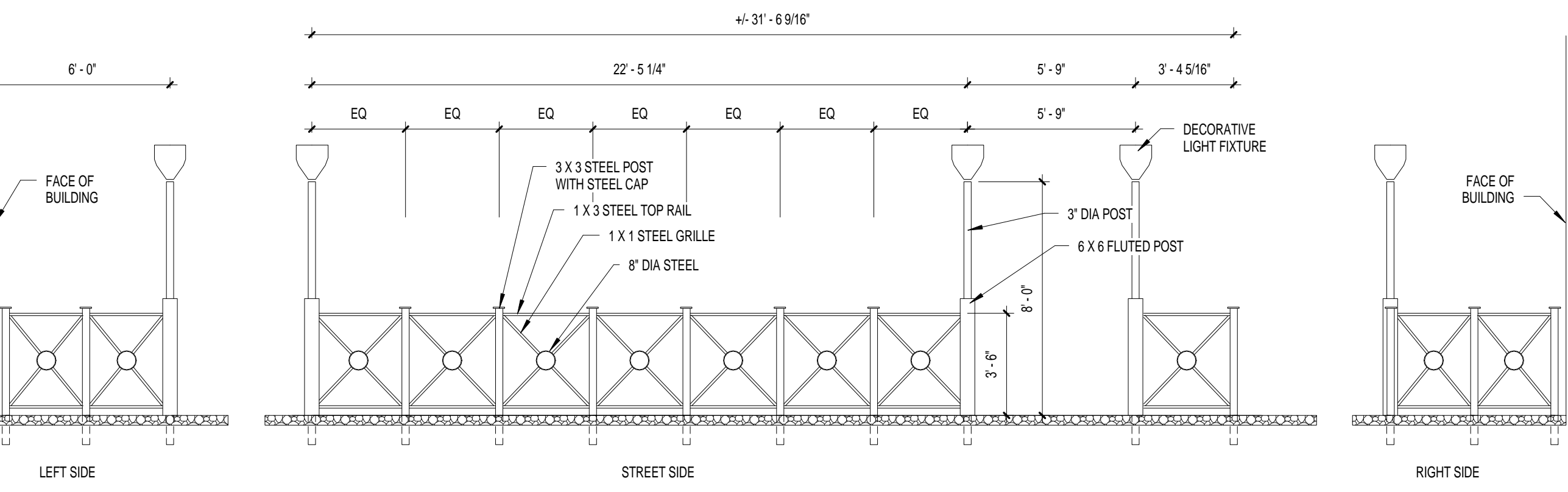
1ST FLOOR PLAN

Project number 12.102
Date 9-25-2012
Drawn by jkg
Checked by jkg

A-1.1

Scale As Indicated

1 FIRST FLOOR PLAN
SCALE: 3/16" = 1'-0"



2 PATIO RAILING
A-1.1 SCALE: 1/4" = 1'-0"

